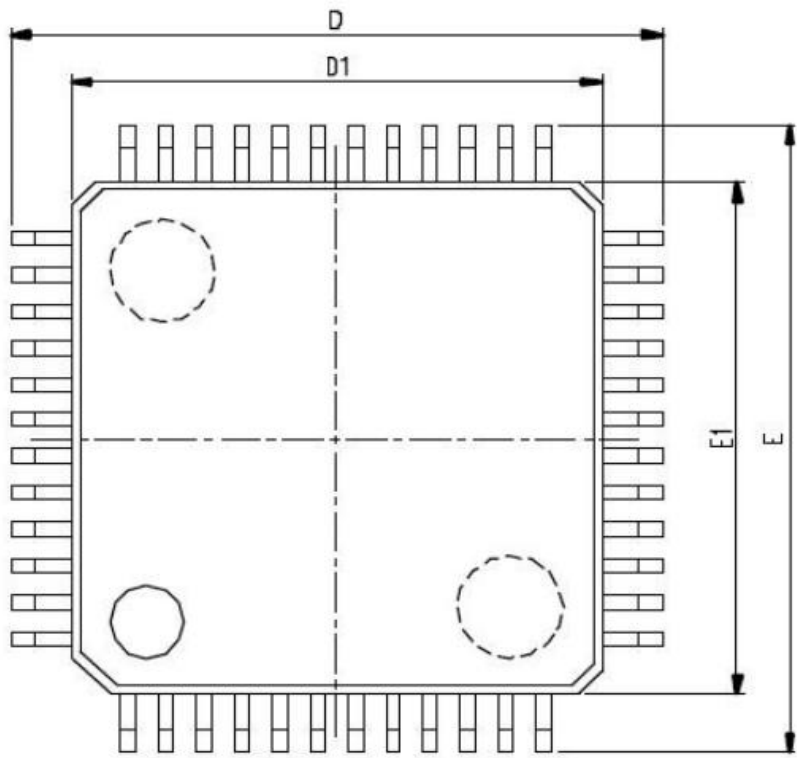
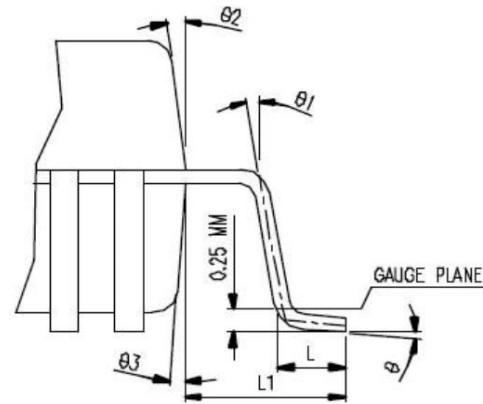
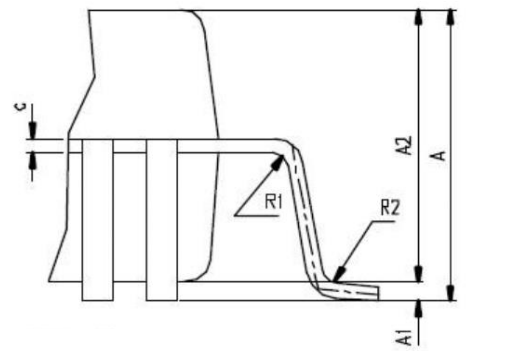


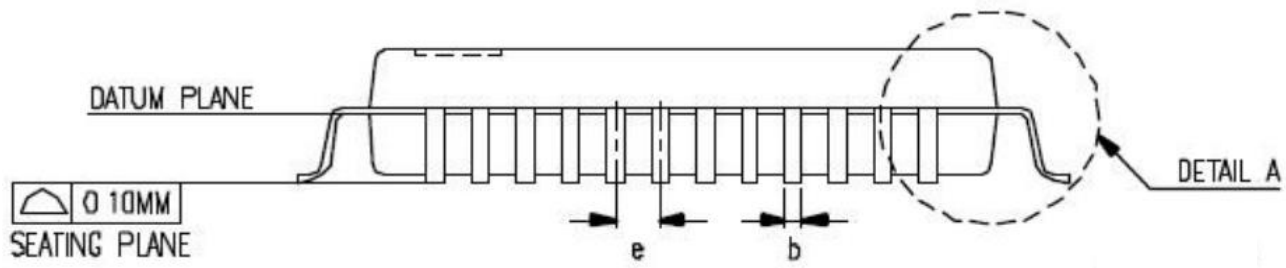
Revision History			
REV	Description	Date	APP'D
A	48LQFP, 7x7x1.4mm	Aug/08/2016	ECN 1633-13



TOP VIEW



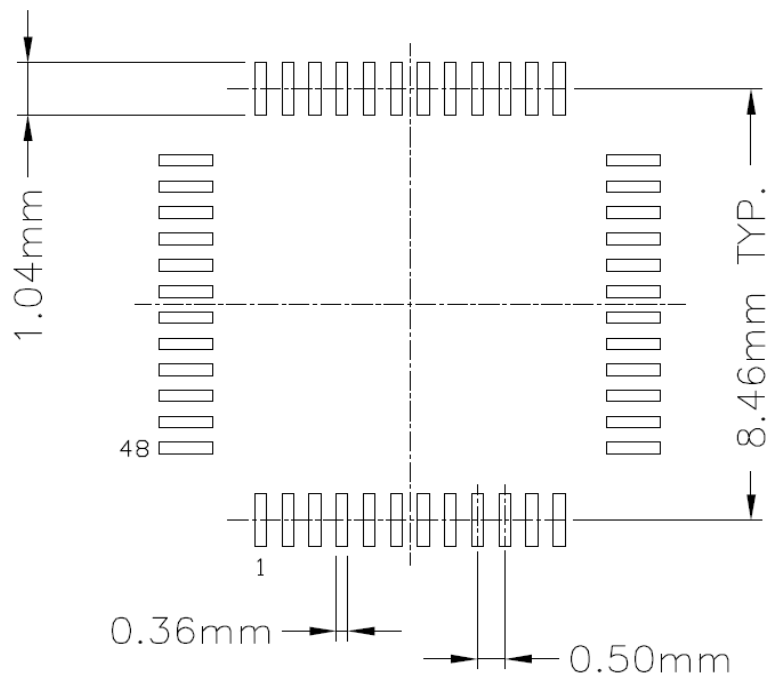
DETAIL A



SIDE VIEW

SYMBOL	DIMENSION IN MM		
	MIN.	NOM.	MAX.
A			1.60
A1	0.05		0.15
A2	1.35	1.40	1.45
b	0.17	0.22	0.27
c	0.09		0.20
e	0.50 BASIC		
D	9.00 BASIC		
D1	7.00 BASIC		
E	9.00 BASIC		
E1	7.00 BASIC		
L	0.45	0.60	0.75
L1	1.00 REF.		
R1	0.08		
R2	0.08		0.20
theta	0°	3.5°	7°
theta 1	0°		
theta 2	11°	12°	13°
theta 3	11°	12°	13°

TERMINAL DIMENSION



TYPICAL RECOMMENDED LAND PATTERN

- Control dimensions are in Millimeters
- Jeduc MS 026

		EXAR CORPORATION	
		48LQFP, 7X7x1.4mm PACKAGE OUTLINE DRAWING	
Packaging Approval:		Drawing No. : POD - 00000096	
By: YG Eom	Date: Aug.08.2016	Revision: A	Sheet: 1 OF 1