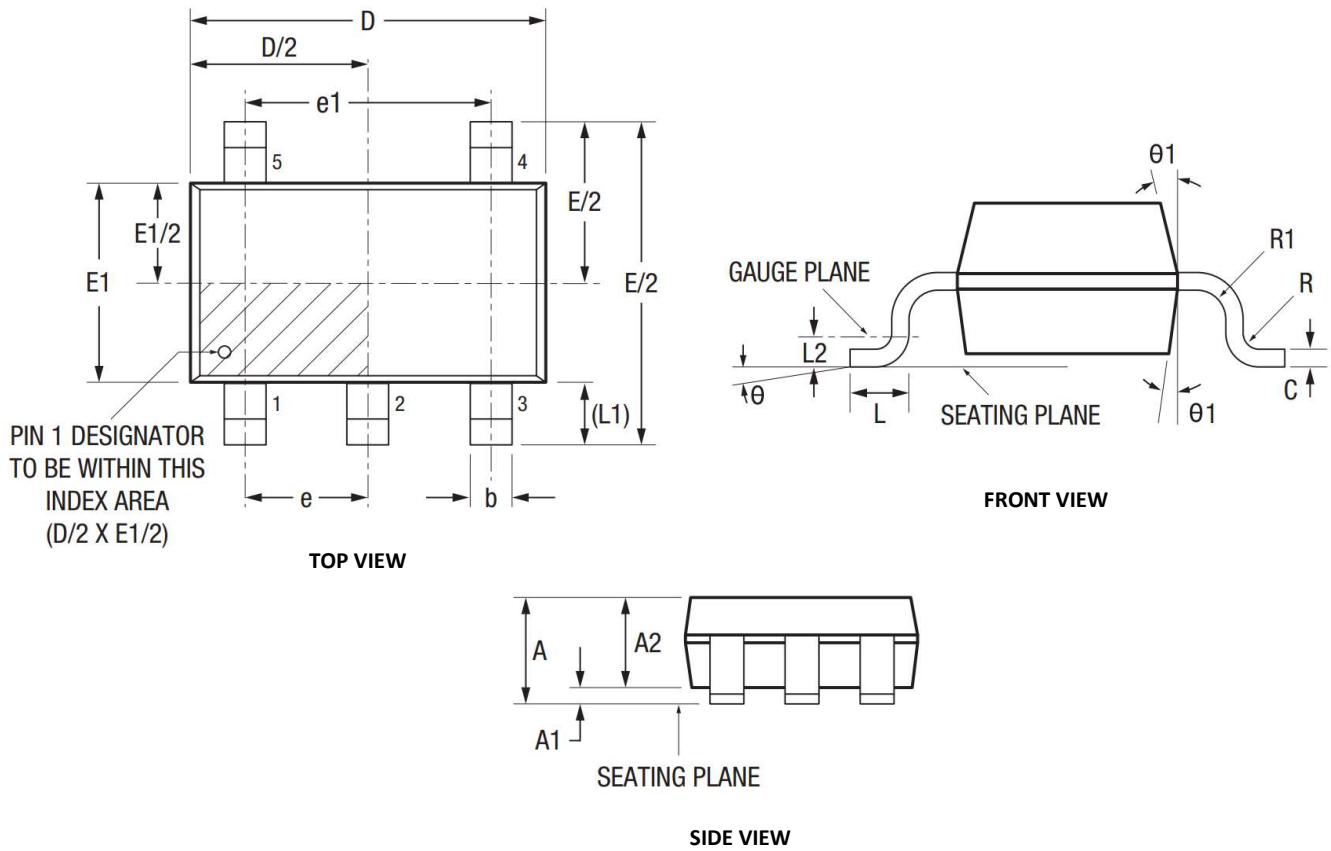


Part Number	Package Size	Subcon Reference Doc & Rev
SP6213EC5-L-1-8/TR,SP6213EC5-L-2-5/TR SP6213EC5-L-3-0/TR,SP6213EC5-L-3-3/TR	5-Pin SC70 (2.00x1.25x0.90mm)	JCET Jun.2020 Rev.D



5-Pin SC70 (JEDEC MO-203) Variation AA						
Symbols	Dimension in mm (Control Unit)			Dimension in inches (1 inch = 25.40mm)		
	Min	Nom	Max	Min	Nom	Max
A	-	-	1.10	-	-	0.043
A1	0.00	-	0.10	0.000	-	0.004
A2	0.70	0.90	1.00	0.028	0.036	0.039
c	0.08	-	0.22	0.004	-	0.009
D	2.00 BSC			0.079 BSC		
E	2.10 BSC			0.083 BSC		
E1	1.25 BSC			0.049 BSC		
L	0.26	0.36	0.46	0.011	0.014	0.018
L1	0.42 Ref			0.017 Ref		
L2	0.15 BSC			0.006 BSC		
R	0.10	-	-	0.004	-	-
R1	0.10	-	0.25	0.004	-	0.01
θ	0°	4°	8°	0°	4°	8°
θ1	4°	-	12°	4°	-	12°
b	0.15	-	0.30	0.006	-	0.012
e	0.65 BSC			0.026 BSC		
e1	1.30 BSC			0.051 BSC		

