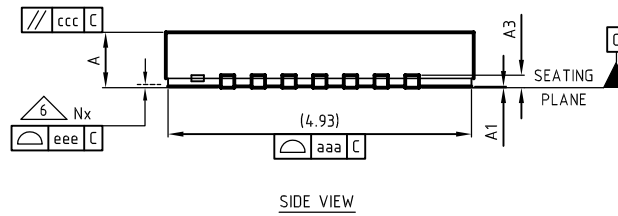
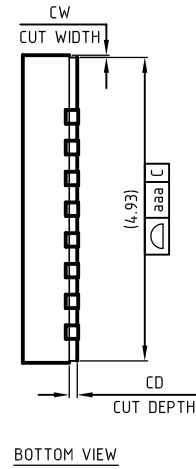
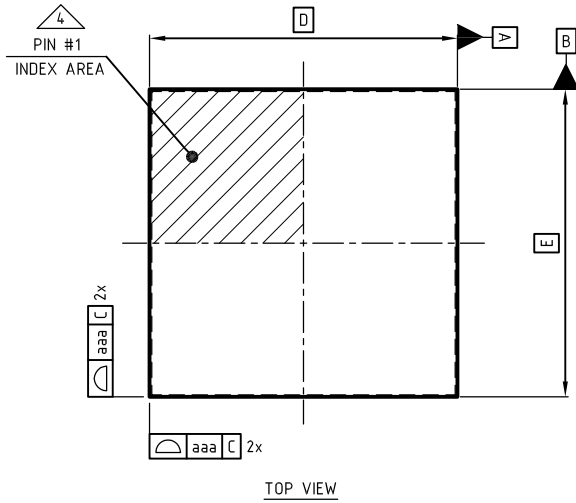
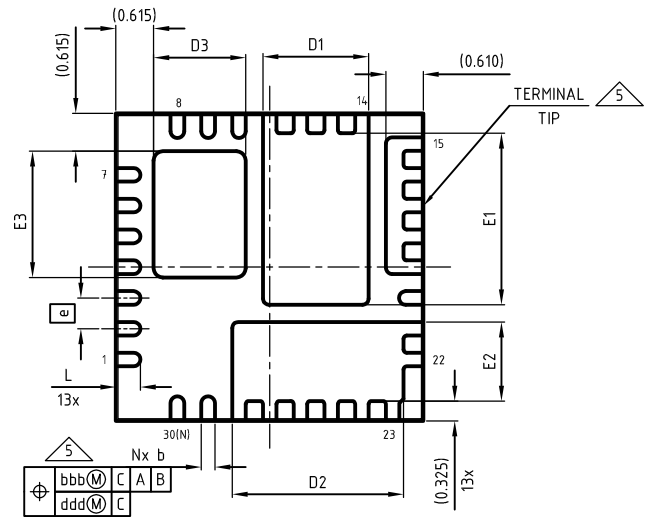


Revision History

REV.	Description	Date	APP'D
A	30LD 5x5x1.0mm QFN wettable flanks	Aug/03/2016	ECN 1638-01 09/12/16



Dimension Table				
Thickness Symbol	V			NOTE
	MINIMUM	NOMINAL	MAXIMUM	
A	0.80	0.90	1.00	
A1	0.00	0.02	0.05	
A3	---	0.20 Ref.	---	
b	0.18	0.25	0.30	5
CD	0.13	0.15	0.17	
CW	0.010	0.035	0.060	
D	5.00 BSC			
E	5.00 BSC			
e	0.50 BSC			
D1	1.570	1.720	1.820	
E1	2.635	2.785	2.885	
D2	2.635	2.785	2.885	
E2	1.135	1.285	1.385	
D3	1.345	1.495	1.595	
E3	1.903	2.053	2.153	
L	0.30	0.40	0.50	
aaa	0.05			
bbb	0.10			
ccc	0.10			
ddd	0.05			
eee	0.08			
N	30			3
NOTES	1, 2			



NOTE : ALL DIMENSIONS ARE IN MILLIMETERS, ANGLES AREA IN DEGREE



EXAR CORPORATION

30LD 5x5x1.0mm QFN wettable flanks
Package Outline Drawing

Packaging Approval:

Drawing No.: POD-0000093

By: YG Eom

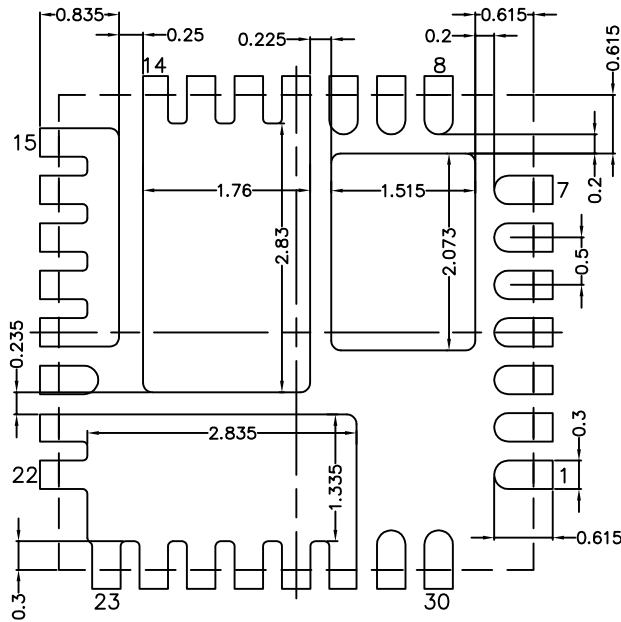
Date: Aug.03.2016

Revision: A

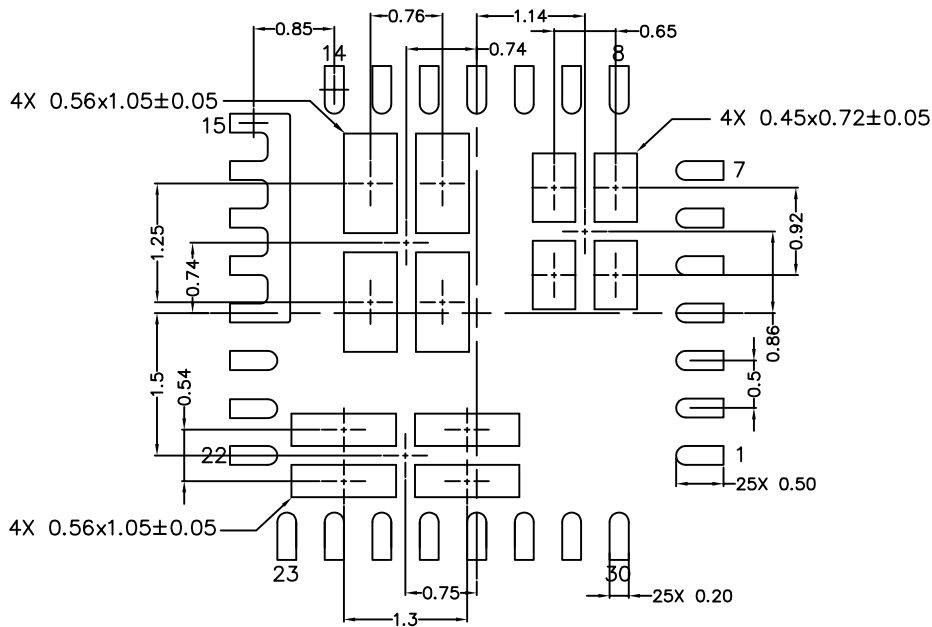
Sheet 1 OF 2

Revision History

REV.	Description	Date	APP'D
A	30LD 5x5x1.0mm QFN wettable flanks	Aug/03/2016	ECN 1638-01 09/12/16



TYPICAL RECOMMENDED LAND PATTERN



TYPICAL RECOMMENDED STENCIL

NOTE : ALL DIMENSIONS ARE IN MILLIMETERS, ANGLES AREA IN DEGREE



EXAR CORPORATION

30LD 5x5x1.0mm QFN wettable flanks
Package Outline Drawing

Packaging Approval:

Drawing No.: POD-0000093

By: YG Eom

Date: Aug.03.2016

Revision: A

Sheet 2 OF 2