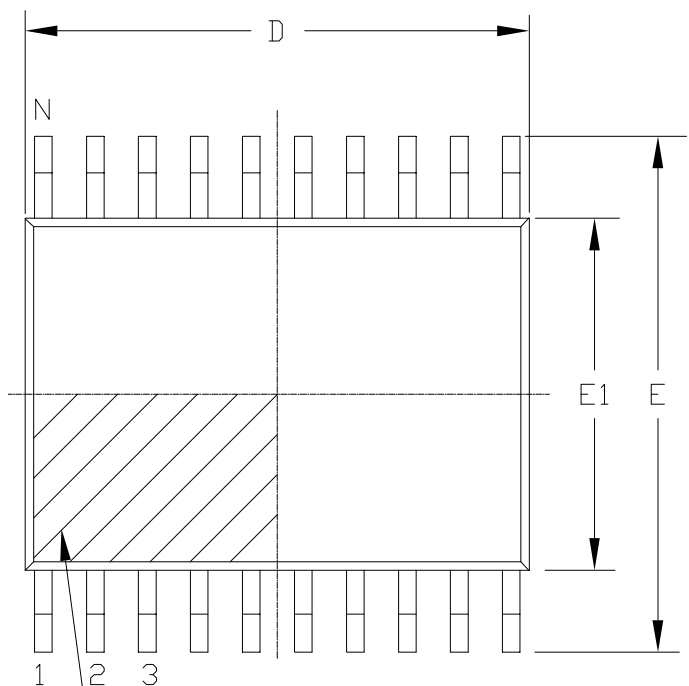
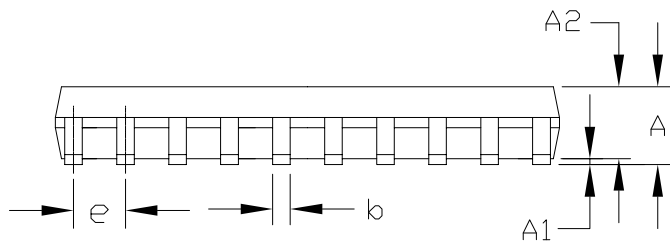


Top View

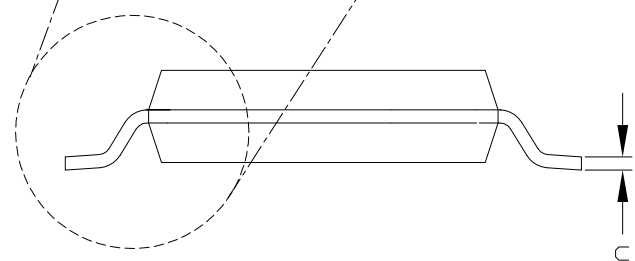
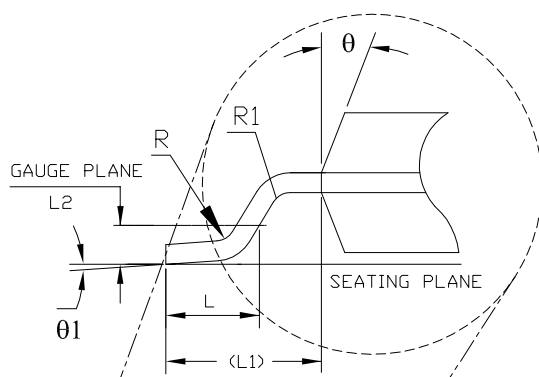


INDEX AREA
($D/2 \times E1/2$)




Side View

REVISION HISTORY			
REV.	DISCRIPTION	DATE	APP'D
A	DRAWING ORIGINATION - ECN# 1342-03	10/17/13	AD
B	UPDATE FORMAT TO COMBINE ALL TSSOP PACKAGE OUTLINE DRAWINGS INTO POD-00000004.	11/1/13	AD



Front View

 A New Direction in Mixed-Signal		EXAR CORPORATION	
		TSSOP PACKAGE OUTLINE	
Packaging Approval:		Drawing No:	POD-00000004
By: AD	Date: 11/1/13	Revision: B	Sheet: 1 OF 2

