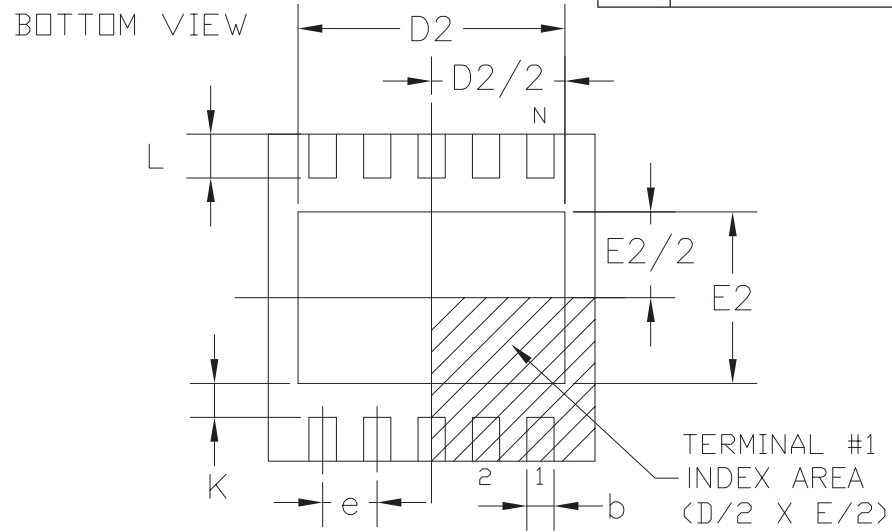
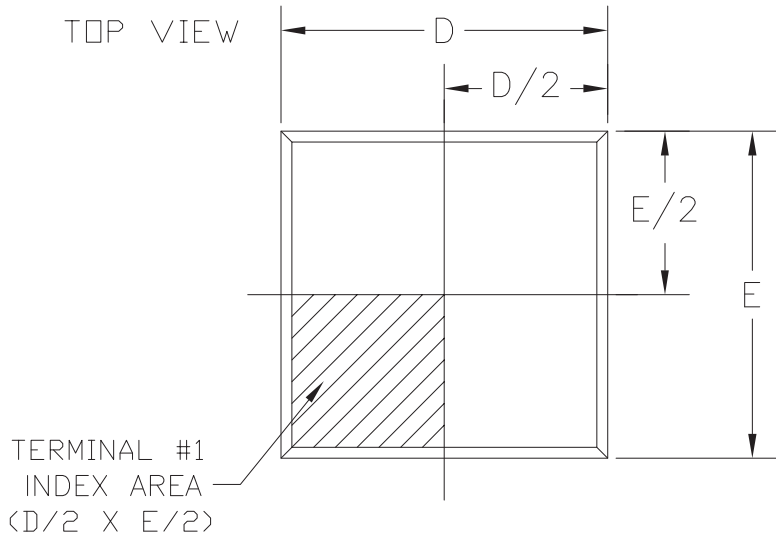
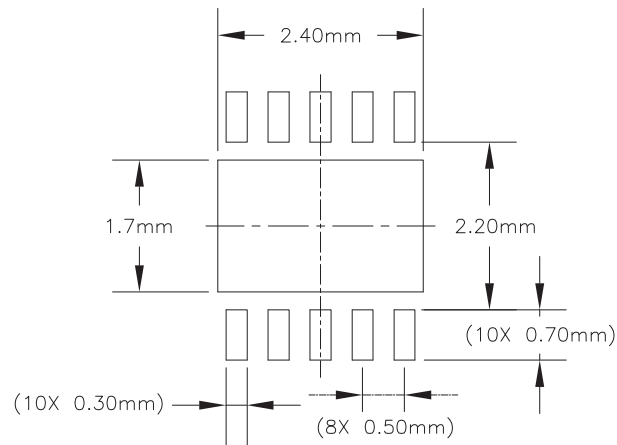
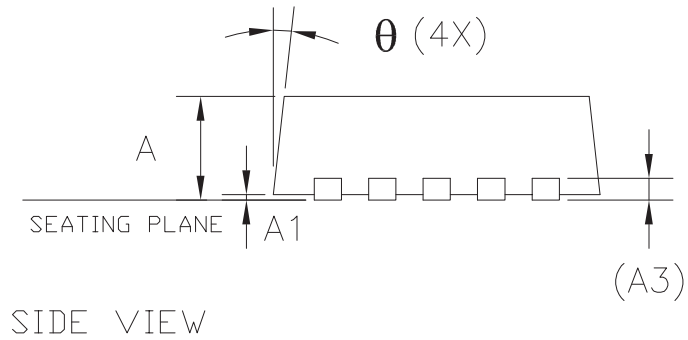



| REVISION HISTORY | | | |
|------------------|---------------------|----------|-------|
| REV. | DESCRIPTION | DATE | APP'D |
| A | DRAWING ORIGINATION | 12/16/13 | AD |
| | | | |
| | | | |
| | | | |



Recommended PCB Land Pattern



| 10LD 3x3 DFN (OPTION 2) JEDEC MO-229 Variation VEED-5 | | | | | | |
|---|------------------------------------|------|------|--|-------|-------|
| SYMBOLS | DIMENSIONS IN MM (Control Unit) | | | DIMENSIONS IN INCH (Reference Unit) | | |
| | MIN | NOM | MAX | MIN | NOM | MAX |
| A | 0.80 | 0.90 | 1.00 | 0.032 | 0.036 | 0.039 |
| A1 | 0.00 | 0.02 | 0.05 | 0.000 | 0.001 | 0.002 |
| A3 | 0.20 REF | | | 0.008 REF | | |
| b | 0.18 | 0.25 | 0.30 | 0.007 | 0.010 | 0.012 |
| D | 3.00 BSC | | | 0.118 BSC | | |
| D2 | 2.30 | 2.40 | 2.50 | 0.090 | 0.094 | 0.098 |
| E | 3.00 BSC | | | 0.118 BSC | | |
| E2 | 1.60 | 1.70 | 1.80 | 0.063 | 0.067 | 0.071 |
| e | 0.50 BSC | | | 0.020 BSC | | |
| L | 0.30 | 0.40 | 0.50 | 0.012 | 0.016 | 0.020 |
| K | 0.20 | — | — | 0.008 | — | — |
| q | 0° | — | 14° | 0° | — | 14° |
| N | 10 | | | 10 | | |
| ND | 5 | | | 5 | | |

| | | |
|--|---|---------------|
|  A New Direction in Mixed-Signal | EXAR CORPORATION | |
| | 10 PIN 3x3 (OPTION 2) DFN PACKAGE OUTLINE | |
| Packaging Approval: By: AD Date: 12/16/13 | Drawing No: POD-0000048 Revision: A | Sheet: 1 OF 1 |