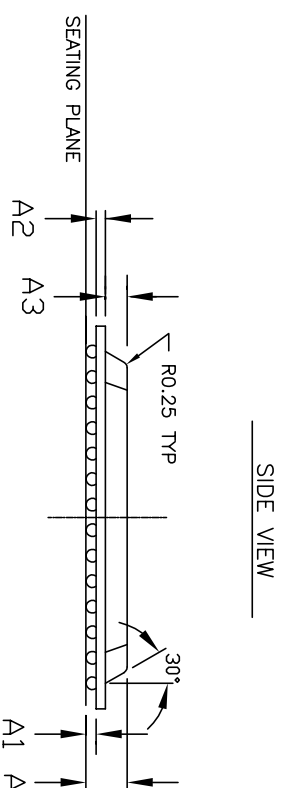
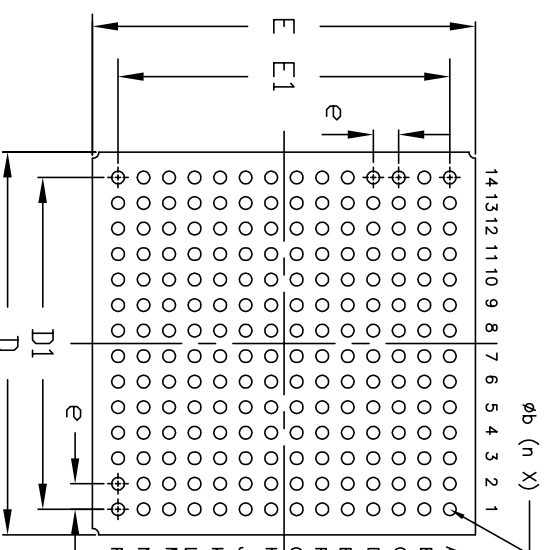
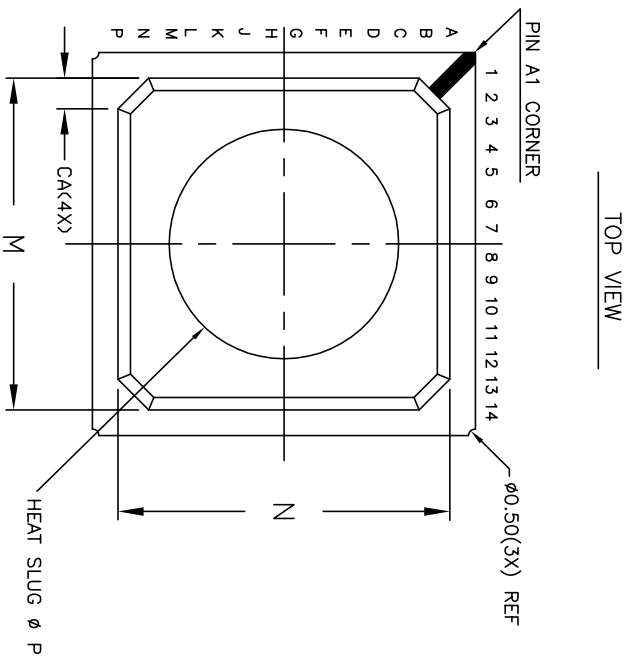


REVISION HISTORY			
REV.	DISCRIPTION	DATE	APP'D
A	DRAWING ORIGINATOR	06/24/09	PC
B	UPDATE DIMENSION A, A2 AND CA	06/26/09	PC
C	UPDATE TITLE AND DRAWING NO.	08/17/09	PC



196-BALL 15X15mm HSBCGA							
SYMBOLS	DIMENSIONS IN MM (Control Unit)				DIMENSIONS IN INCH (Reference Unit)		
	MIN	NOM	MAX		MIN	NOM	MAX
A	1.62	1.81	2.00		0.064	0.071	0.079
A1	0.30	0.40	0.50		0.012	0.016	0.020
A2		0.56 REF				0.022 REF	
A3		0.85 REF				0.033 REF	
D	14.80	15.00	15.20		0.583	0.591	0.598
D1		13.00 BSC				0.512 BSC	
E	14.80	15.00	15.20		0.583	0.591	0.598
E1		13.00 BSC				0.512 BSC	
b	0.40	0.50	0.60		0.016	0.020	0.024
e		1.00 BSC				0.039 BSC	
M	12.80	13.00	13.20		0.504	0.512	0.520
N	12.80	13.00	13.20		0.504	0.512	0.520
P	8.00	8.50	9.00		0.315	0.335	0.354
CA		1.20X45° REF				0.047X45° REF	
n		196				196	

**WITH HEAT SLUG**



**EXAR CORPORATION**

By: PC	Date: 08/17/09	Revision: C	Sheet: 1 OF 1
--------	----------------	-------------	---------------

Packaging Approval: 196-BALL 15X15mm HSBCGA PACKAGE OUTLINE  
 Drawing No: 196-BALL 15X15mm HSBCGA