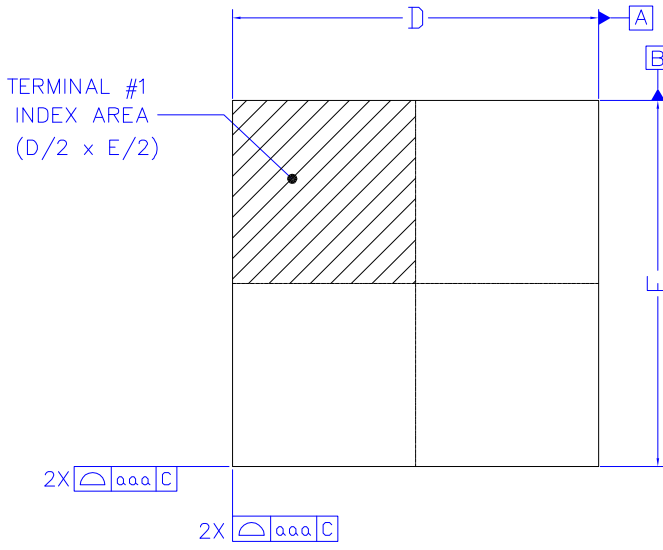
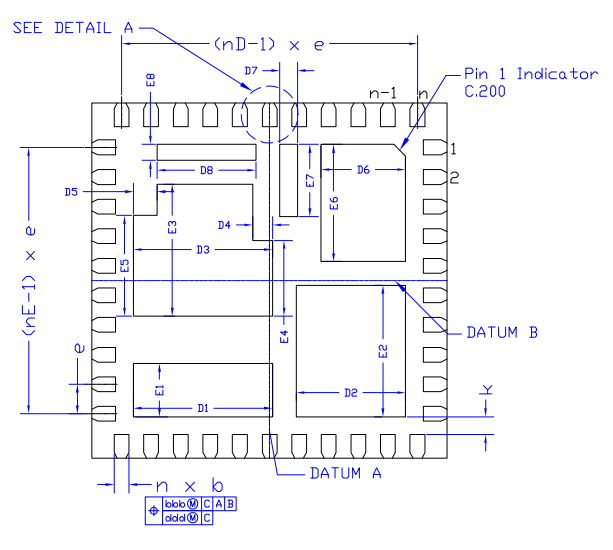


Revision History

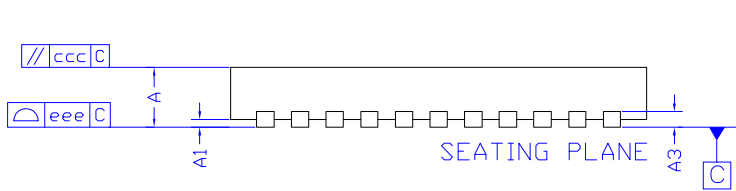
REV.	Description	Date	APP'D
D	Updated land pattern outside dimension	07/27/2021	ECN 2131-04 jh



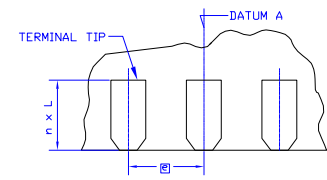
TOP VIEW



BOTTOM VIEW

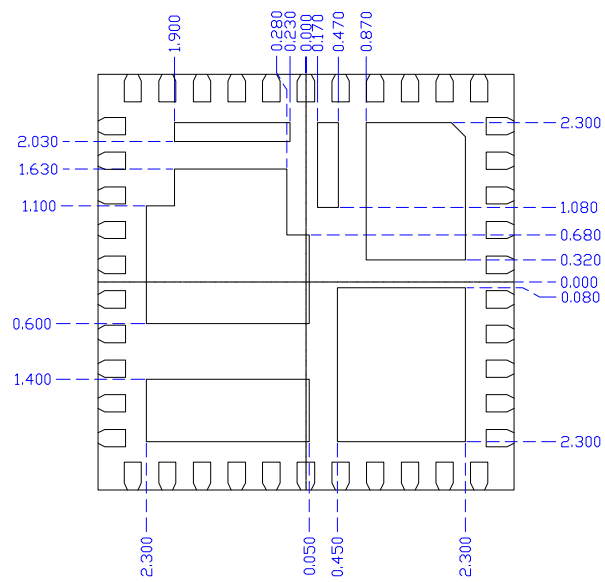


SIDE VIEW



DETAIL A

PACKAGE	42L 6x6 SIP-QFN		
REF.	MIN.	NOM.	MAX.
A	3.90	4.00	4.10
b	0.20	0.25	0.30
L	0.30	0.40	0.50
k	0.20	0.30	0.40
D	6.00 BSC		
D1	2.25	2.35	2.45
D2	1.75	1.85	1.95
D3	2.25	2.35	2.45
D4	0.23	0.33	0.43
D5	0.30	0.40	0.50
D6	1.33	1.43	1.53
D7	0.20	0.30	0.40
D8	1.57	1.67	1.77
E	6.00 BSC		
E1	0.80	0.90	1.00
E2	2.12	2.22	2.32
E3	2.13	2.23	2.33
E4	1.18	1.28	1.38
E5	1.60	1.70	1.80
E6	1.88	1.98	2.08
E7	1.12	1.22	1.32
E8	0.17	0.27	0.37
e	0.50 BSC		
n	42		
nD	11		
nE	10		




TERMINAL AND PAD EDGE DETAILS

SYMBOL	COMMON DIMENSIONS			UNIT
	MIN.	NOM.	MAX.	
A1	0	0.02	0.05	
A3	0.20 REF.			
TOLERANCES OF FORM AND POSITION				
aaa	0.10			
bbb	0.10			
ccc	0.10			
ddd	0.05			
eee	0.08			

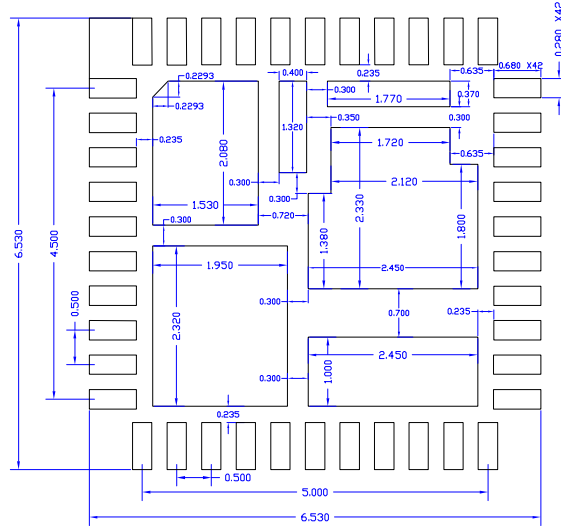
TERMINAL DETAILS

- ALL DIMENSIONS ARE IN MILLIMETERS.
- DIMENSIONS AND TOLERANCE PER JEDEC MO-220.

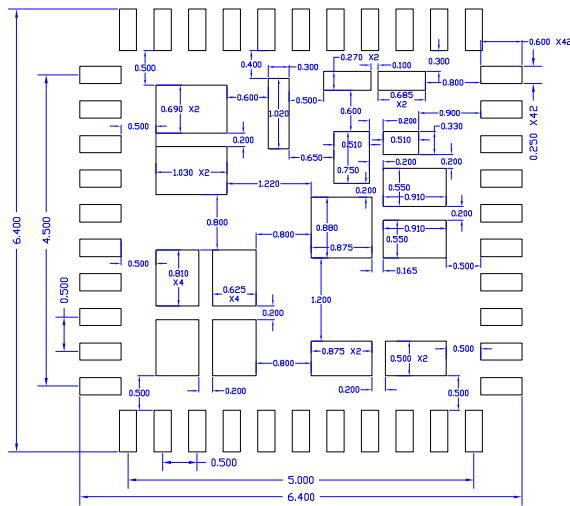
		MAXLINEAR CORPORATION	
		42LD 6x6x4mm QFN Package Outline Drawing	
Packaging Approval:		Drawing No.: POD-00000103	
By: D.Retuta	Date: 07/27/2021	Revision: D	Sheet 1 OF 3

Revision History

REV.	Description	Date	APP'D
D	Updated land pattern outside dimension	07/27/2021	ECN 2131-04 jh



RECOMMENDED LAND PATTERN



RECOMMENDED STENCIL

		MAXLINEAR CORPORATION	
Packaging Approval:		42LD 6x6x4mm QFN Package Outline Drawing	
By: D.Retuta	Date: 07/27/2021	Drawing No.: POD-0000103	
		Revision: D	Sheet 2 OF 3

